

SPOTLESS WAREWASHING



Granule Maxi®



– large scale potwashing
customised to your needs

GRANULE MAXI® IS DEDICATED TO medium sized and large kitchens such as:

- Restaurants/hotels using large numbers of mixed pots
- Hospital/health care kitchens
- Staff canteens
- Schools, universities
- Catering companies
- Food processing industries...

Most of our Granule Maxi® customers prepare up to 4 000 meals a day. This limit is not fixed and depend more on how the food is prepared and distributed than on the actual number of portions. Our customers are pleasantly surprised when it comes to both time and cost savings. The machine ensures that clean pots are returned to the kitchen fast. Moreover, consumption of detergent, water and energy are reduced.

Powerful, versatile, high capacity

High capacity

"No time to waste!" Many of our customers want to improve workflow in their kitchens to make them more efficient and flexible. The Granule Maxi® is a high capacity machine: you can wash up to 192 x GN 1/1 containers per hour. Clean pots are returned more quickly to the kitchen. Moreover, the operator can do other tasks while the machine is running a wash cycle.

Multipurpose

Do you need to wash both small and large kitchen utensils? Do you use gastronorms, pans, ceramic bowls and plastic trays? Do you have round-shaped pots and square-shaped trays? Whatever the type, size or shape of your utensils, the Granule Maxi® will wash them! Many accessories are available to help you clean a wide variety of kitchen tools.

GRANULDISK®

Find the system that meets your needs

Our customers have neither the same kitchen sizes nor the same needs. We have designed 3 different versions of the Granule Max® to get the full benefit from the machine.

• **Granule Max® Compact System** – is space an issue in your kitchen? Then you should know that the Granule Max® Compact System provides you with the highest wash capacity per square metre. This version is equipped with a retractable multipassageway which, with the aid of a few accessories, can deal with all the pots and pans in your kitchen. Pots are easily loaded directly into the lower part of the cassette.

• **Granule Max® Flow System** – Would you like to enhance efficiency and speed up the flow of your pots? The Granule Max® Flow System is equipped with loose cassettes and a cassette trolley. This means that one cassette can be washed while another is filled or emptied. When capacity requirements increase, it is easy to expand the Granule Max® Flow System with as many cassettes as required.

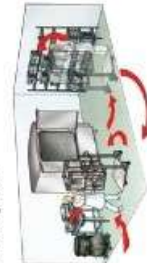
Compact System



Flow System



FreeFlow System



• **Granule Max® FreeFlow System** – Would you like to have full flexibility and adaptability in your provisioning area? You can both save space and reduce the distance walked during the day because this machine's multipassageway is located directly while hanging on the cassette trolley. One big advantage of this hanging pots into the machine is that you can load the pots directly into the potting them to the potwashing machine using the trolley. After the wash cycle, you then unload the pots directly at the locations where they are stored. The Granule Max® FreeFlow System is equipped with two cassettes and two cassette trolleys and can be expanded as required.

e for ...

- ... **efficiency**
GRANULDISK® offers the highest level of efficiency to one of the most busy areas of the kitchen.
- ... **environment**
Save on natural resources with GRANULDISK®, cut your energy, water and detergent consumption by half*.
- ... **ensured hygiene**
A temperature of 72 °C on the surface of washed items guarantees hygienically clean pots and pans.
- ... **ergonomy**
Enjoy a dramatically improved working environment and a freer working day.



... **learn more** about our machine range, all the green savings and GRANULDISK® ware washing solutions at www.granuldisk.com or in the collected GRANULDISK® brochure.

* In comparison with 4 hours of manual potwashing/100.

Technical specifications

Weight	685 kg (with machine)
Tank volume	165 litres
Granule amount	16 kg
Wash power	10 % Granule concentration
Wash water temperature	65 °C
Rinse water temperature	85 °C
Rinse water volume (litres/ wash programme)	Eco programme: 7 litres Short/Normal programme: 14 litres To achieve 3600 TMC according to ISO 15783-3: 2007.
Wash programmes	Eco 2 min., 30 s. Short 4 min., 40 s. Normal 6 min., 40 s. Short/Normal programme starts Short/Normal programme
Time for steam reduction	1 minute (Short/Normal Programme)
Loading volume	460 litres W 540 x h. 1060 x 4680 (mm)
Capacity	8 GN 1/1, 200 mm deep, or 16 GN 1/2, 200 mm deep containers or the equivalent in other utensils.
Max capacity/n Freshw/ Flow/Compact	192 GN 1/1
Normal capacity/n Freshw/ Flow/Compact	160/144/136 GN 1/1

* Not in use simultaneously

Voltage**	3-~ 400 V 50 Hz (standard) **Other voltages available on request
Flare	40 A (Steam heating option 20 A, Cold water option 50A)
Maximum power	21 kW (steam 5 kW, cold water 29 kW)
Wash pump motors	2 x 2.2 kW (2 x 3.0 kW 575 V)
Rinse pump motor	0.37 kW
Wash/Rinse tank element*	16 kW (cold water 24 kW)
Encapsulation class	IP 55
Hot water connection	1/2" (DN 15), 55-65 °C, 37 °gH
Water pressure/flow h.w.	1.6 bar /25 litres/min.
Cold water connection	1/2" (DN 15), 37 °gH
Water pressure/flow c.w	3.6 bar /15 litres/min
Detergent and rinse agent	24 and 230 VAC signals in separable connection box.
Verbiethen	Recommendation capacity Machine without steam reduction: 700 m³/h Machine with steam reduction: 200 m³/h
Outflow	Pipe Ø 32 mm
Drain	Required capacity 100 litres/minute The drain pipe should not be placed directly above the drain.

Accessories



GO 975 MULTI CASSETTE FORK
For pots, pans, bowls, dough hooks, etc. and all types of 1/1 and 2/1 GN containers, stacked directly in the lower part of the cassette without any part of the cassette without (ref. no. 14463)



GO 898 DRIPPER FOR CONTAINERS (GN 1/3 to 2/3) For containers with two handles, one block of two between the two existing grids in the cassette. One divider/cassette is always included in the main delivery (ref. no. 13033)



GO 890 MULTIPURPOSE HOLDER
For containers with two handles, small to medium pots and saucepans, tins and other accessories. The holder is placed in one of the upper grids in the cassette's upper grille (ref. no. 10872)



GO 891 UTENSIL HOLDER
For knives, whisks, beaters and similar utensils. The holder is placed in one of the upper grids in the cassette (ref. no. 10832)
* Capacity: max. 22 utensils



GO 893 LIN HOLDER
The insert for washing lids, trays or other accessories. It is placed in the lower grille of the cassette (ref. no. 10870)



GO 994 HOLDER FOR GN 1/1, 1/2, 1/3
Holder for small pots and bowls for small containers. The holder is placed in one of the two upper grids.
With one holder each one in the holder can take one of the following combinations of pots: 8 GN 1/3 and 4 x 8 GN 1/2 and 4 x 8 GN 1/3



GO 995 HOLDER FOR SMALL POTS AND BOWLS
Holder for small pots and bowls or similar items that cannot be hung or are too small to be posted directly into the multipassageway (ref. no. 10004)
* 3 x small pots/bowls, Ø 80 mm (optional depth 170 mm)



GO 691 NET BASKET FOR LADLES, WHISKS AND BEATERS
Net basket for ladles, beaters and other small things (ref. no. 13463)
* Pots with an inner length of 200 mm

FOR YOUR GRANULDISK®

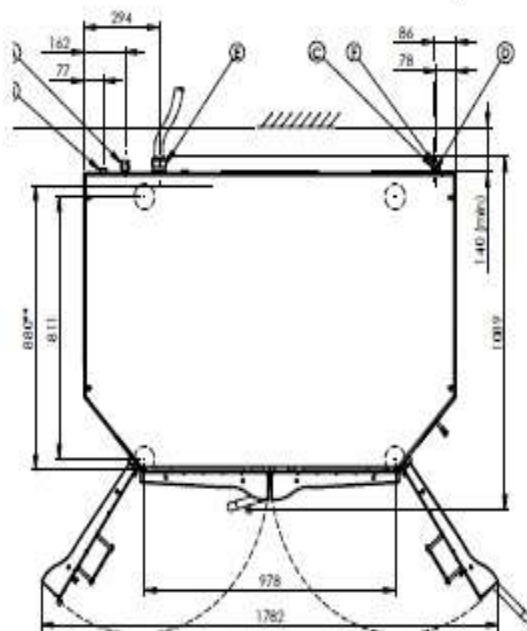
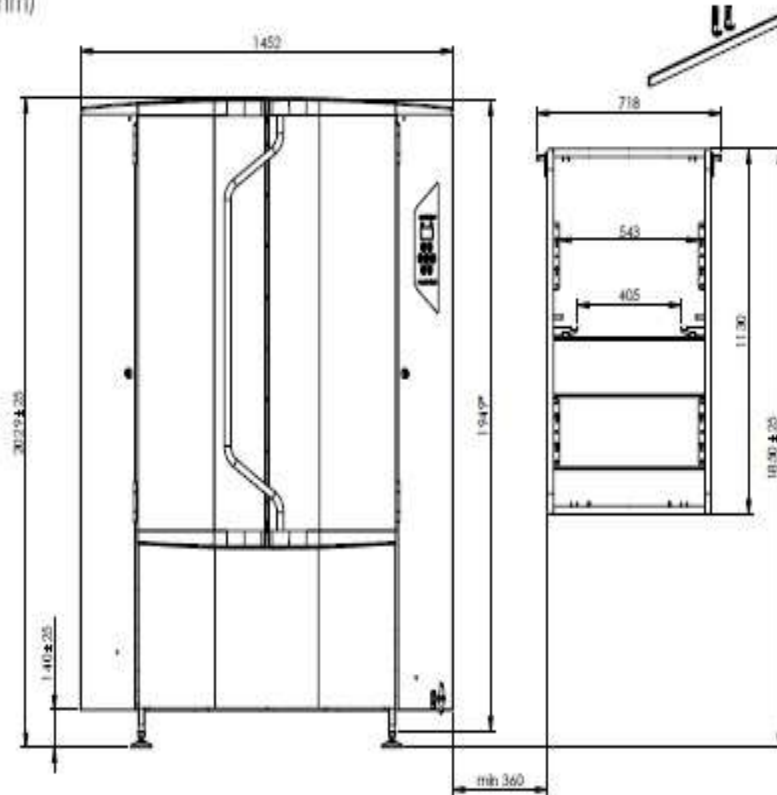
Power2 and/or have been specially developed to be used with GRANULDISK® products. Not only will they extend the lifespan of your machine, but also make your pots and pans visibly and hygienically clean.
Power2 and/or are made from a material which has been approved for use in contact with food, and are also harmless to the environment. The unique mix of sizes and material composition also gives better removal rates, leaving you with exceptional results.
8 kg bucket: retro 19833 20 kg bucket: retro 19834

SPOTLESS WAREWASHING

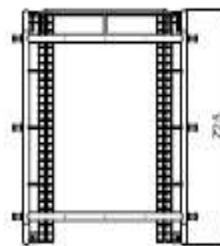


Installation drawings

(mm)



* Minimum intake height (without roof and foil).
 ** Minimum intake width, GO Min. (all loose parts dismounted).



- A - Hot water 55-65 °C, 3-7 °dH
- B - Cold water 3-7 °dH
- C - Drain Ø 32 mm, 170 mm from floor.
Horizontal pipe.
- D - Detergent connection
- E - Electrical connection